

RIDGID
Pump Assembly
Model No. AC11301
Repair Sheet

RIDGID PUMP ASSEMBLY – MODEL NO. AC11301

The model number will be found on a label attached to housing. Always mention the model number in all correspondence regarding your **PUMP ASSEMBLY** or when ordering replacement parts.

FIGURE A

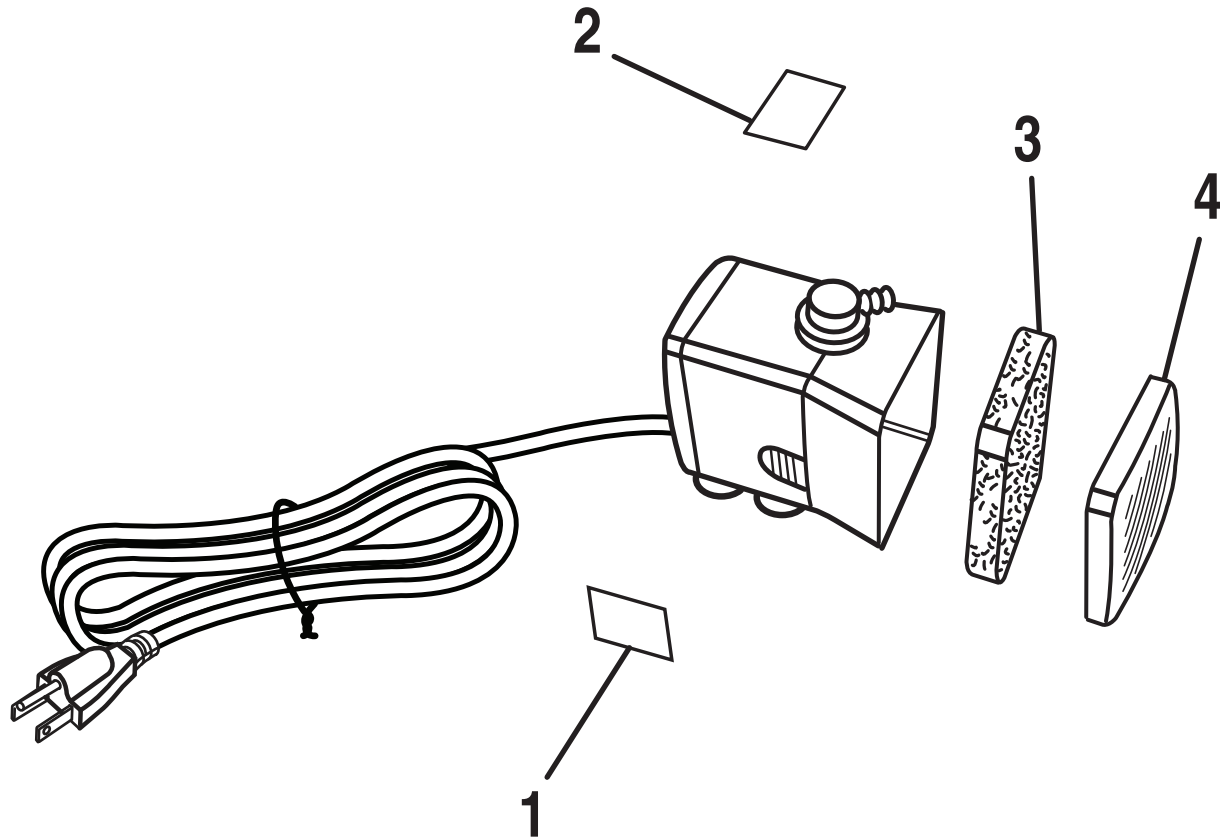


FIGURE A PARTS LIST

KEY NO.	PART NUMBER	DESCRIPTION	QTY.	KEY NO.	PART NUMBER	DESCRIPTION	QTY.
1	080009005913	Pump Logo	1				
2	080009005914	Data Label.....	1				
3	080009006019	Pump Filter.....	1				
4	080009006004	Pump End Cap.....	1				
					NOT SHOWN:		
					080009004912	Hang Tag	1
					987000632	Operator's Manual.....	1
					8-21-09		
					(REV:01)		