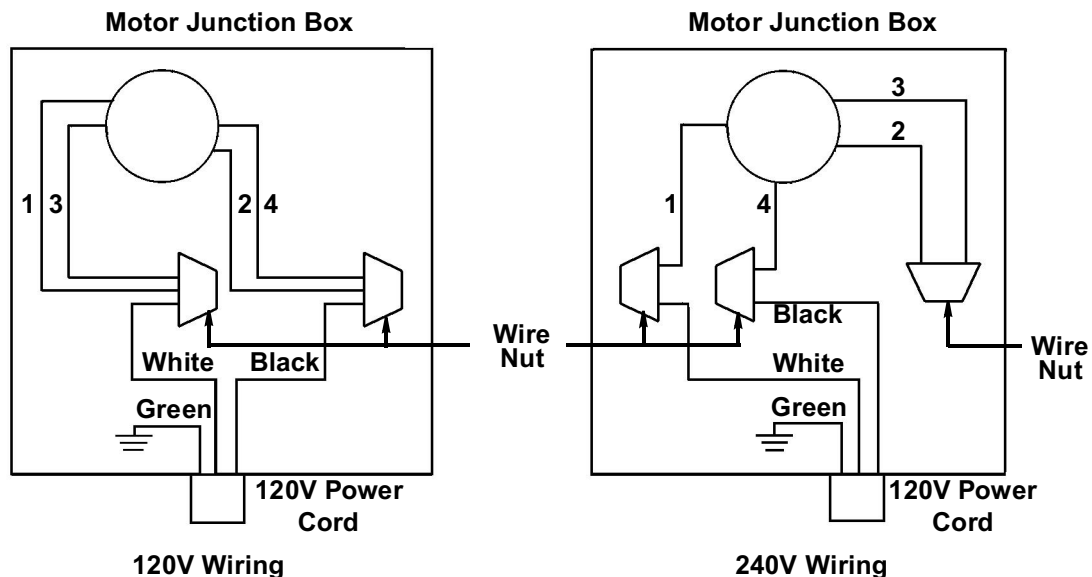


General

WARNING: For your own safety, turn switch "Off" and remove plug from power source outlet before trouble shooting your band saw.

Trouble	Probable Cause	Remedy
Blade does not run in the approximate center of the upper wheel.	1. Not tracking properly.	1. Adjust tracking, see Assembly Section, "Adjusting Blade Tracking" section.
Band Saw slows down when cutting	1. Belt too loose. 2. Cutting too small a radius. 3. Dull blade. 4. Overloading motor.	1. Adjust belt tension, see "Assembly" section, "Mounting the Motor". 2. Stop feeding, and back up the material slightly, until the band saw speeds up. 3. Replace blade. 4. Slow down, trying to cut too fast.
Blades braking	1. Too much tension on blade. 2. Kink in blade caused cutting too small a radius or turning the material too fast when cutting.	1. Adjust tension. See "Getting to Know Your Band Saw". 2. Use correct cutting technique. See "Basic Saw Operation" section.
Blade dulls too quickly.	1. Blade guides set too close to teeth. 2. Cutting incorrect material	1. Adjust upper and lower blades guides. See "Assembly" section "Installing the blade".
Band saw vibrates.	1. Too much tension on motor belt	1. Adjust according to "Mounting the Motor" section.

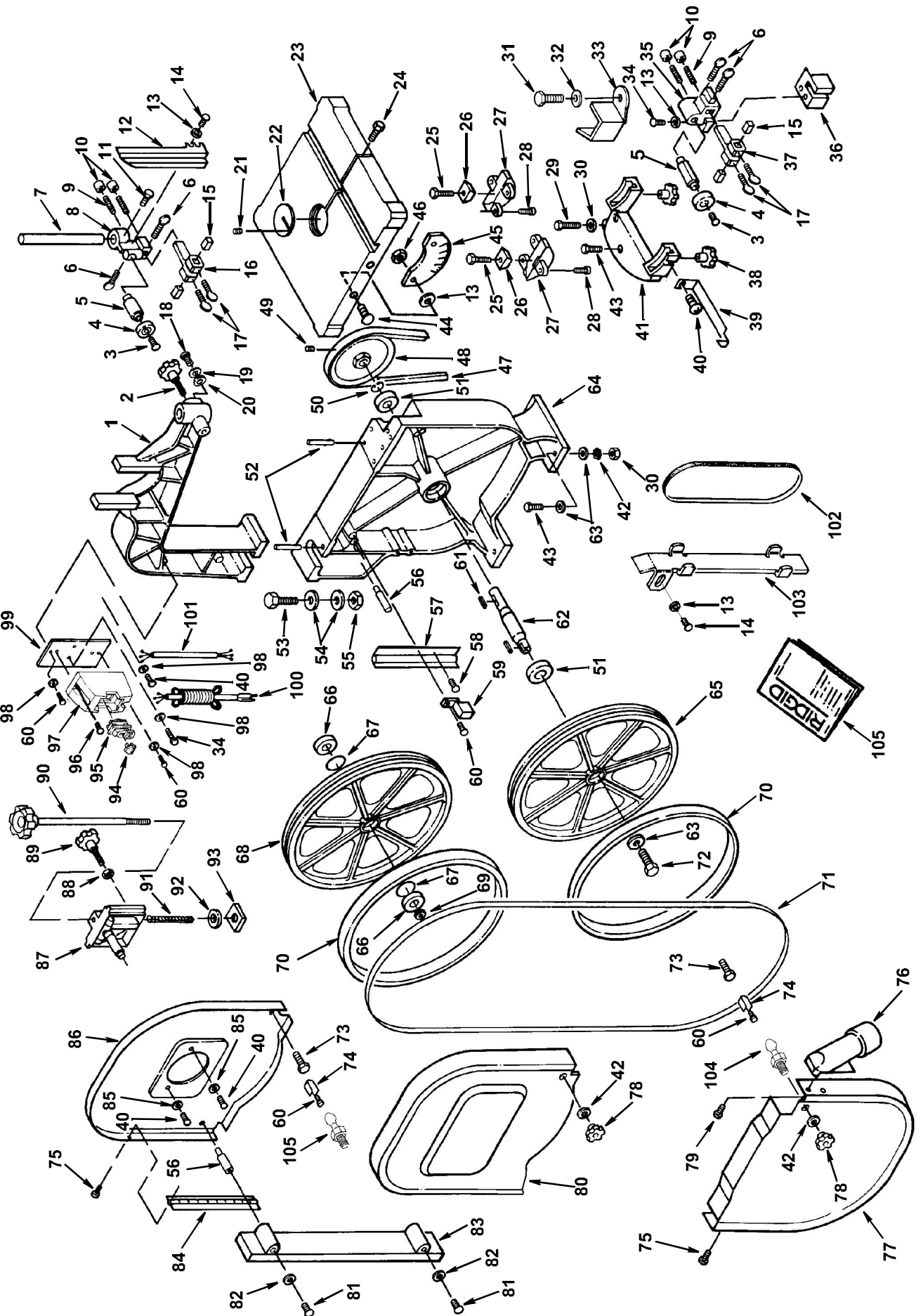
Wiring Diagram



Repair Parts

Parts List For RIDGID 14-inch Band Saw Model No. BS14001

Figure 1



Repair Parts

Parts List For RIDGID 14 Inch Band Saw Model No. BS14001 Figure 1 - Drive Assembly Parts Always Order By Part Number - Not By Key Number

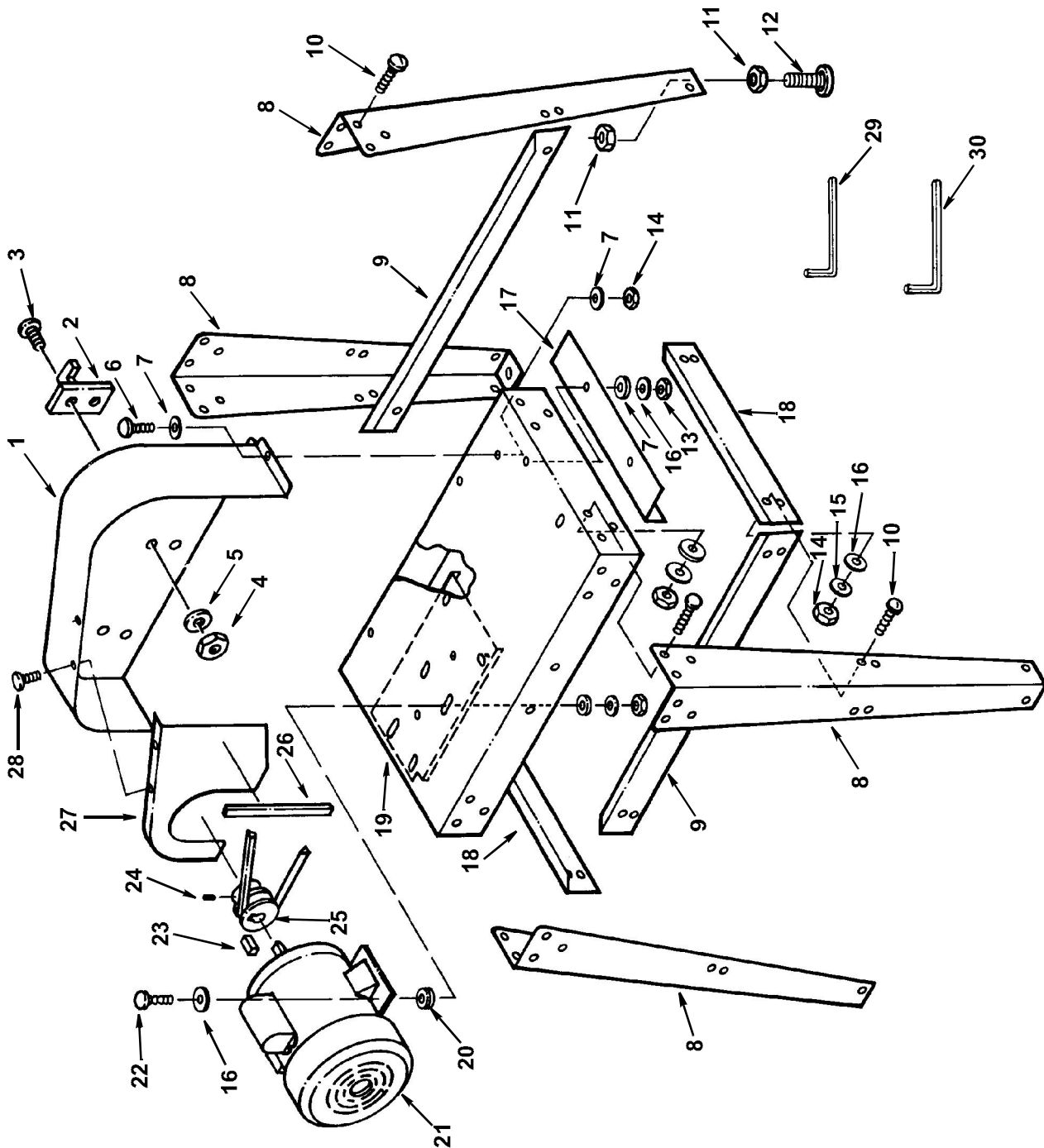
Key No.	Part No.	Description	Key No.	Part No.	Description
1	823545	Frame Upper Arm	54	813512-1	* Washer M16
2	826533	Knob	55	813164-12	* Nut M16
3	823746	Screw Pan Hd. Lock M6 x 1-12	56	823756	Stud
4	820722-10	Bearing Ball	57	823598	Hinge Lower
5	823574	Sleeve Upper Spacing	58	818470-3	Screw Flat Hd. M5 x 0.8-10
6	823744-3	Screw Thumb M6-16	59	823555	Brush Wheel
7	823575-2	Post Guide	60	813313	Screw Pan Hd. M5 x 0.8-12
8	823601	Bracket Support Post	61	819188	Key 5mm x 20mm
9	823954	Screw Soc Set M8 x 1.25-40	62	823584	Shaft Lower Wheel
10	823573	Nut Micro-Adjust	63	823753	* Washer M8
11	820249-4	Screw hex Hd. M6 x 1.0-16	64	823554-1	Base
12	823596	Guard Blade Upper	65	828864	Wheel Lower
13	820238-4	* Washer M6	66	823762	Bearing Ball
14	813307-3	Screw Hex Hd. M6 x 1.0-10	67	823761	Ring Retaining
15	823572	Block Guide	68	828864-1	Wheel Upper
16	823745	Bracket Support Upper	69	823763	Nut Hex M12 x 1.25
17	823744-2	Screw Thumb M6-12	70	823595	Tire
18	821750-1	* Screw Soc. Cup M10 x 1.5-10	71	823542	† Blade 3/8 x 93-1/2
19	823743	Spring	72	823753	Screw Hex Hd. LH M8 x 1.25-25
20	823742	Ball Steel	73	823751	Bolt M10 x 1.5-15 (Special)
21	813249-76	Pin Spring	74	823583	Catch Door
22	823580	Insert Table	75	817357	Screw Pan Hd. M4 x 16-8
23	823559	Table	76	823558	Chute Dust
24	823579	Pin table	77	826634-1	Cover Lower Wheel
25	823769	Screw Hex Hd. M10 x 1.5-55	78	826536	Knob Catch
26	823565	Clamp Trunnion Shoe	79	823771	Screw Pan Hd. Lock M6 x 1-8
27	823586	Trunnion	80	823552-1	Cover Upper Front
28	823768	Screw Hex Washer hd. M6 x 1-12	81	816069	Screw Pan Hd. Ty "AB" #6 x 5/8
29	813310-4	* Screw Hex Hd. M8 x 1.25-80	82	823760	Washer
30	813164-6	* Nut Hex M8	83	823600	Guard Blade Rear
31	816755-10	Screw Pan Cross M5 x 0.8-9	84	823597	Hinge Upper
32	813314-8	* Lockwasher M5	85	820237-7	* Washer M5
33	823588	Guard Blade Lower	86	823758-9	Cover Upper Back
34	821388-2	* Screw Hex Hd. M6 x 1.0-20	87	824283	Shaft/Hinge Upper Wheel Asm
35	826538	Bracket Lower Support Post	88	823570	Nut Wing
36	823750-1	Guard Lower Wheel Blade	89	826535	Knob Lock
37	823779	Bracket Support Lower	90	826534	Knob Blade Adjusting
38	826532	Knob Locking	91	826627	Spring Coil
39	826626	Pointer	92	826630	Indicator
40	813313-5	Screw Pan Hd. M5 x 0.8-6	93	823755	Nut Square
41	823587	Bracket Trunnion Support	94	AC1000	† Key, Switch
42	813163-12	* Lockwasher M8	95	826123	Switch Locking
43	813310-9	* Screw Hex Hd. M8 x 1.25-35	96	813313	* Screw Pan Hd. M5 x 0.8-12
44	818470-5	Screw Flat Hd. Cross M5 x 0.8-15	97	826394	Box Switch
45	826664	Scale Bevel	98	813314-8	* Lockwasher M5
46	813164-6	* Nut Hex M5 x 0.8	99	823546	Plate Switch Backing
47	817393-5	Belt V A40	100	823563-1	Cord w/Plug
48	828863	Pulley	101	823543-1	Cord Power
49	817391-1	Screw Soc Set M6 x 1.0-10	102	826628	Belt Sanding
50	816782	Ring Retaining	103	826629	Platen Sanding
51	817530	Bearing Ball	104	827589	Stud Latch
52	823741	Pin	105	SP6412	Owners Manual
53	821732-1	Screw Hex Hd. M16 x 2.0-55			

* Standard hardware item. May be purchased locally.

† Stock Item - May be secured through the Hardware Department of most Home Depot Stores.

Parts List For RIDGID 14 Inch Band Saws
 Model No. BS14001

Figure 2



Repair Parts

Parts List For RIDGID 14 Inch Band Saw Model No. BS14001

Figure 2 - Base Components

Always order by Part Number - Not by Key Number

Key No.	Part No.	Description
1	823592-1	Cover Pulley
2	826530	Hanger Blade
3	826632	* Screw Pan Hd M4 x 0.7-10
4	824026-4	* Nut Hex M4 x 0.7
5	813314-5	* Lockwasher 4mm
6	813313	* Screw Pan Hd. M5 x 0.8-12
7	820237-1	* Washer M5
8	823773-1	Leg
9	823590-1	Stiffener Long
10	823776	Bolt Carriage M8 x 1.25-16
11	118615	* Nut Hex 3/8-16
12	803835-1	Foot Leveling
13	813164-6	* Nut Hex M5
14	813364-8	* Nut Hex M8
15	813303-7	* Lockwasher M8

Key No.	Part No.	Description
16	821063-2	* Washer M8
17	823593-1	Plate Support
18	823589-1	Stiffener Short
19	828984	Stand Top
20	823747	Grommet Rubber
21	828848	Motor
22	813310-9	* Screw Hex Hd. M8 x 1.25-35
23	819188	Key 5mm x 20mm
24	817391-1	Screw Set M6 x 1.0-10
25	828862	Pulley Motor
26	823576	Pad
27	823591-1	Cover Pulley Inner
28	817357	* Screw Pan Hd. M4 x 16-8
29	813317-6	Wrench Hex "L" 3mm
30	813317-8	Wrench Hex "L" 5mm

* Standard hardware item. May be purchased locally.