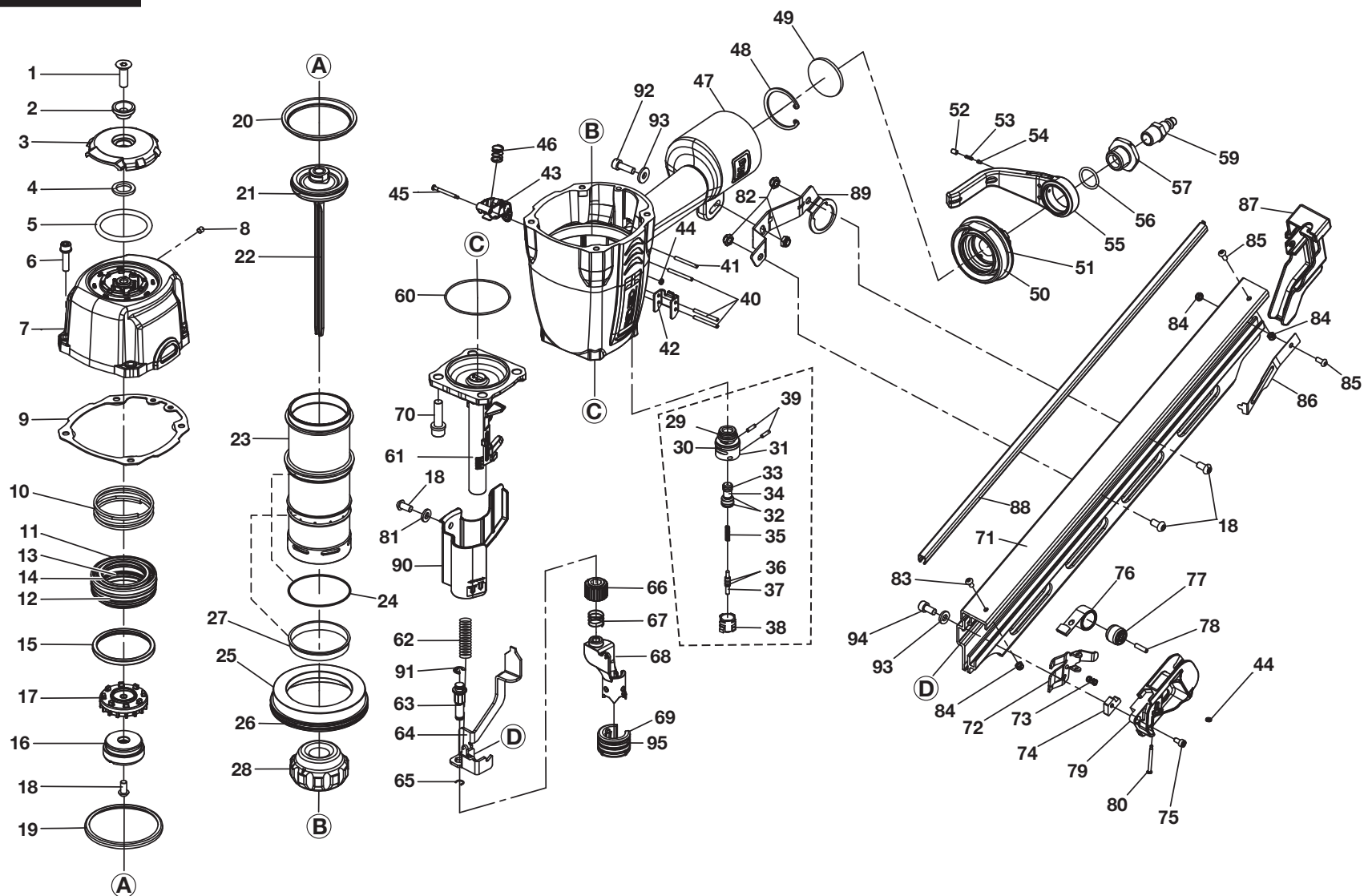


RIDGID
CLIPPED HEAD FRAMING NAILER
MODEL NO. R350CHA
REPAIR SHEET

RIDGID
CLOUEUSE DE CHARPENTIER
POUR CLOUS SANS TÊTE
NO. DE MODÈLE R350CHA
FEUILLE DE RÉPARATION

RIDGID
CLAVADORA DE ENTRAMAR PARA
CLAVOS DE CABEZA RECORTADA
MODELO R350CHA
LISTAS DE PIEZAS DE REPUESTO



⚠ DANGER: Do not use oxygen, combustible gases, or bottled gases as a power source for this tool. The tool will explode and cause death or serious injury.

⚠ DANGER : Ne pas utiliser de l'oxygène ou des gaz combustibles ou en bouteille pour alimenter l'outil. L'outil exploserait, causant des blessures graves ou mortelles.

⚠ PELIGRO: No utilice oxígeno, gases combustibles ni gases embotellados como fuente de energía para esta herramienta. La herramienta explotará y causará la muerte o lesiones serias.

⚠ WARNING: Disconnect the tool from the air supply before performing maintenance. Failure to do so could result in serious personal injury.

⚠ AVERTISSEMENT : Débrancher l'outil de la source d'air avant tout entretien. Ne pas prendre cette précaution peut entraîner des blessures graves.

⚠ ADVERTENCIA: Desconecte la herramienta del suministro de aire antes de efectuar tareas de mantenimiento. La inobservancia de esta advertencia puede causar lesiones serias.



R350CHA Clipped Head Framing Nailer

KEY	P/N	DESCRIPTION	QTY	KEY	P/N	DESCRIPTION	QTY	KEY	P/N	DESCRIPTION	QTY
1	079002001001	SCREW (COUNTER SUNK) (M8 x 1.25-25) (3M2353).....	1	45	079002001045	TRIGGER PIVOT PIN	1	86	079002001084	NAIL PLATE (STOP)	1
2	079002001002	DEFLECTOR PAD	1	46	079002001046	SPRING.....	1	87	079002001085	HOOD COVER	1
3	079002001003	DEFLECTOR	1	47	079002001047	TOOL BODY UNIT	1	88	079002001086	STEEL CHANNEL	1
4	079002001004	RUBBER PAD	1	48	079002001048	C-RING (RTW42).....	1	89	079002001087	BRACKET	1
5	079002001005	MUFFLER ASSY	1	49	079002001049	FILTER.....	1	90	079002001088	COVER.....	1
6	079002001006	BOLT ASSY (M6 x 1.0-30 + Dp6).....	4	50	079002001050	END CAP	1	91	079002001089	E-RING (ETW6)	1
7	079002001007	CAP	1	51	079002001051	O-RING (56.5 x 3.1)	1	92	079002001090	BOLT (HEX SOC. HD.) (M6 x 1.0-23).....	1
8	079002001008	SCREW (HEX SOC. HD.) (M5 x 0.8-05).....	1	52	079001001041	SCREW (HEX SOC. HD.) (M4 x 0.7-06).....	1	93	079002001091	FLAT WASHER (D16 x d6.3 x t2)	1
9	079002001009	CYLINDER CAP SEAL	1	53	079001001040	POSITIONING SPRING.....	1	94	079002001092	BOLT (HEX SOC. HD.) (M6 x 1.0-12) (3M2353).....	1
10	079002001010	COMPRESSION SPRING	1	54	079001001039	POSITIONING AXIS	1	95	079002001102	FIXED RING	1
11	079002001011	O-RING (43.5 x 2.62)	1	55	079002001055	SPRING RETAINER.....	1	96	079002001093	OVERHAUL KIT – NOT SHOWN (INCL. KEY NO. 9, 11-13, 15, 16, 20, 21, 24, 26-39, AND 44, PLUS LUBRICANT)	1
12	079002001012	O-RING (60.2 x 3.1)	1	56	079002001056	O-RING (19.18 x 2.46)	1				
13	079002001013	O-RING (47.8 x 2.62)	1	57	079002001057	LATCH SPRING BUSHING (NPT 3/8 in.)	1				
14	079002001014	HD.VALVE PISTON	1	59	079004001048	AIR PLUG (NPT 3/8 in.-18)	1				
15	079002001015	COLLAR.....	1	60	079002001059	O-RING (63 x 1.5)	1	97	079002001094	DRIVER MAINTENANCE KIT – NOT SHOWN (INCL. KEY NO. 9, 21, 22, AND 28, PLUS LUBRICANT)	1
16	079002001016	SEAL.....	1	61	079002001060	NOSE PIECE.....	1				
17	079002001017	VALVE.....	1	62	079002001061	WORK CONTACT ELEMENT SPRING.....	1				
18	079002001018	HEX BOLT (HALF ROUND HD.) M6 x 1.0-12.....	4	63	079002001062	ADJUST ROD UNIT	1	98	079002001095	DRIVER ASSEMBLY – NOT SHOWN (INCL. KEY NO. 21-22 PLUS LUBRICANT).....	1
19	079002001019	PRESS RING.....	1	64	079002001063	CONTACT MECHANISM B	1				
20	079002001020	PRESS RING.....	1	65	079002001064	RING	1				
21	079002001021	PISTON RING	1	66	079002001065	ADJUST KNOB	1	99	079002001096	TRIGGER ASSEMBLY – NOT SHOWN (INCL. KEY NO. 29-39).....	1
22	079002001022	DRIVER UNIT	1	67	079002001066	WORK CONTACT ELEMENT SPRING A	1	100	079002001098	OIL AND WRENCH KIT – NOT SHOWN (INCL. OIL AND 5 mm HEX KEY)	1
23	079002001023	CYLINDER	1	68	079002001067	WORK CONTACT ELEMENT A.....	1				
24	079002001024	O-RING (59.4 x 3.1) (G60).....	1	69	079002001100	NO MAR PAD	2				
25	079002001025	CYLINDER SPACER	1	70	079002001068	BOLT ASSY (M8 x 1.25-30 + Dp8) (3M2353)	4	101	079002001097	BAG – NOT SHOWN.....	1
26	079002001026	O-RING (89.4 x 3.1) (G90).....	1	71	079002001069	MAGAZINE A	1	102	079002001099	GLASSES – NOT SHOWN.....	1
27	079002001027	CYLINDER RING.....	1	72	079002001070	PUSHER	1	103	079001001096	WARNING LABEL – NOT SHOWN	1
28	079002001028	BUMPER.....	1	73	079002001071	SPRING.....	1				
29	079002001029	O-RING (12.42 x 1.78) (AS014).....	1	74	079002001072	SQUARE UNITS.....	1	104	079002001105	DATA LABEL – NOT SHOWN.....	1
30	079002001030	O-RING (18.72 x 2.62)	1	75	079002001073	BOLT (HEX SOC. HD.) (M4 x 0.7-08).....	1	105	079002001103	LOGO LABEL – NOT SHOWN	2
31	079002001031	PLUNGER CAP	1	76	079002001074	SPRING.....	1	106	983000609	OPERATOR'S MANUAL – NOT SHOWN	1
32	079002001032	O-RING (8.8 x 1.9) (P9)	2	77	079002001075	ROLLING ELEMENT	1	107	983000609R	REPAIR SHEET – NOT SHOWN	1
33	079002001033	O-RING (5.8 x 1.9) (P6)	1	78	079002001076	ROLL PIN.....	1	108	983000623	FASTENER GUIDE – NOT SHOWN	1
34	079002001034	VALVE PLUNGER.....	1	79	079002001077	HOOD COVER	1				
35	079002001035	SPRING.....	1	80	079002001078	TRIGGER PIVOT PIN	1	109	079001001102	TRIGGER WRAP LABEL – NOT SHOWN	1
36	079001001024	O-RING (2.5 x 1.5) (S3)	2	81	079002001079	FLAT WASHER (D13 x d6.5 x t2)	2				
37	079002001037	PLUNGER	1	82	079002001080	LOCK NUT (M6 x 1.0)	3	110	079002001111	HANG TAG – NOT SHOWN	1
38	079002001038	TRIGGER VALVE HEAD	1	83	079002001081	HEX BOLT (HALF ROUND HD.) (M4 x 0.7-08).....	1				
39	079002001039	SPRING PIN (Dp3-12).....	2	84	079001001064	LOCK NUT (M4 x 0.7)	3				
40	079002001040	SPRING PIN (Dp3-30).....	3	85	079002001083	HEX BOLT (HALF ROUND HD.) (M4 x 0.7-10).....	2				
41	079002001041	SPRING PIN (Dp3-25).....	1								
42	079002001042	WORK CONTACT ELEMENT GUIDE	1								
43	079002001043	TRIGGER UNIT	1								
44	079001001029	RETAINER	2								

03-10-06
(REV: 02)

