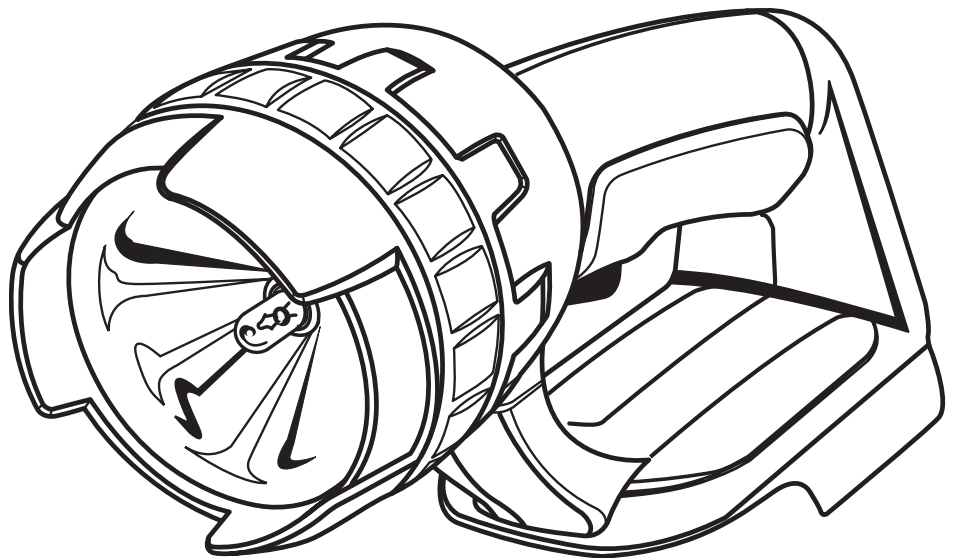


# OPERATOR'S MANUAL

## CORDLESS WORKLIGHT

R829 — 12 VOLT

R839 — 14.4 VOLT



Your worklight has been engineered and manufactured to our high standards for dependability, ease of operation, and operator safety. When properly cared for, it will give you years of rugged, trouble-free performance.

---

**⚠ WARNING:**  
To reduce the risk of injury, the user must read and understand the operator's manual before using this product.

---

Thank you for buying a RIDGID product.

**SAVE THIS MANUAL FOR FUTURE REFERENCE**

# TABLE OF CONTENTS

---

■ Introduction .....	2
■ General Safety Rules .....	3
■ Specific Safety Rules.....	3-4
■ Safety Rules for Charger .....	4
■ Symbols.....	5-6
■ Features.....	7
■ Assembly .....	8
■ Operation.....	9-11
■ Maintenance .....	12-13
■ Warranty .....	15
■ Customer Service Information.....	16

## INTRODUCTION

---

This worklight has many features for making its use more pleasant and enjoyable. Safety, performance, and dependability have been given top priority in the design of this product making it easy to maintain and operate.

# GENERAL SAFETY RULES



## WARNING!

### READ AND UNDERSTAND ALL INSTRUCTIONS.

Failure to follow all instructions listed below, may result in electric shock, fire and/or serious personal injury.

## SAVE THESE INSTRUCTIONS

### WORK AREA

- **Keep your work area clean and well lit.** Cluttered benches and dark areas invite accidents.
- **Do not operate worklight in explosive atmospheres, such as in the presence of flammable liquids, gases, or dust.**

### ELECTRICAL SAFETY

- **A battery operated worklight with integral batteries or a separate battery pack must be recharged only with the specified charger for the battery.** A charger that may be suitable for one type of battery may create a risk of fire when used with another battery.
- **Use battery operated worklight only with specifically designated battery pack.** Use of any other batteries may create a risk of fire.

## SPECIFIC SAFETY RULES

- **Know your worklight.** Read operator's manual carefully. Learn its applications and limitations, as well as the specific potential hazards related to this worklight. Following this rule will reduce the risk of electric shock, fire, or serious injury.
- **Lens and bulb become hot during use:**
  - During or immediately after use, don't lay worklight flat on lens surface or place lens area in contact with a plastic or fabric covered surface.
  - Handle worklight with care around any flammable surface.
  - Let worklight cool for several minutes after use before changing bulb.
  - Do not use or permit use of worklight in bed or sleeping bags. This worklight lens can melt fabric and a burn injury could result.
- **Use only the charger recommended for use with your worklight.** Do not substitute any other charger. Use of another charger could cause batteries to explode causing possible serious injury.
- **Do not charge battery pack in a damp or wet location.** Following this rule will reduce the risk of electrical shock.
- **Your battery worklight should be charged in a location where the temperature is more than 50°F but less than 100°F.**

- **Use battery only with charger listed.**

MODEL	BATTERY PACK	CHARGER
R829	130252002	140276001
	130254001	140276002
R839	130252003	140276001
	130254002	140276002

## WORKLIGHT USE AND CARE

- **When battery pack is not in use, keep it away from other metal objects like: paper clips, coins, keys, nails, screws, or other small metal objects that can make a connection from one terminal to another.** Shorting the battery terminals together may cause sparks, burns, or a fire.

## SERVICE

- **Worklight service must be performed only by qualified repair personnel.** Service or maintenance performed by unqualified personnel may result in a risk of injury.
- **When servicing a worklight, use only identical replacement parts. Follow instructions in the Maintenance section of this manual.** Use of unauthorized parts or failure to follow Maintenance Instructions may create a risk of shock or injury.

- **Under extreme usage or temperature conditions, battery leakage may occur.** If liquid comes in contact with your skin, wash immediately with soap and water, then neutralize with lemon juice or vinegar. If liquid gets in your eyes, flush them with clean water for at least 10 minutes, then seek immediate medical attention.
- **Batteries vent hydrogen gas and can explode in the presence of a source of ignition, such as a pilot light.** To reduce the risk of serious personal injury, never use any cordless product in the presence of open flame. An exploded battery can propel debris and chemicals. If exposed, flush with water immediately.
- **Never use a battery pack that has been damaged or received a sharp blow.** A damaged battery pack is subject to explosion. Properly dispose of a damaged battery pack immediately. Failure to heed this warning can result in serious personal injury.
- **Use only recommended battery pack with your worklight.** Any attempt to use another battery pack will cause damage to your worklight and could possibly explode, cause a fire, or personal injury.
- **Remove battery pack from worklight before replacing bulb or performing any routine maintenance or cleaning.**
- **Do not disassemble your worklight.**


# SPECIFIC SAFETY RULES

---

- **Do not permit children to use worklight unsupervised.** It is not a toy. The temperature of the bulb will become hot after being on for only a short period of time. This hot temperature can cause burn injury if touched and can create sufficient heat to melt some fabrics.
- **Stay alert.** Watch what you are doing and use common sense. Do not rush.
- **If wrapped or in contact with fabrics, the worklight lens can produce sufficient heat to melt some fabrics.** To avoid serious personal injury, never allow the worklight lens to come in contact with anything.
- **Check damaged parts.** Before further use of this worklight, a part that is damaged should be carefully checked to determine that it will operate properly and perform its intended function. Do not use worklight if it does not function properly.


# SAFETY RULES FOR CHARGER

---

 **WARNING!**  
**READ AND UNDERSTAND ALL INSTRUCTIONS.**  
Failure to follow all instructions listed below, may result in electric shock, fire and/or serious personal injury.

---

- **Before using battery charger,** read all instructions and cautionary markings in this manual, on battery charger, battery, and product using battery to prevent misuse of the products and possible injury or damage.
- 

 **CAUTION:**  
To reduce the risk of electric shock or damage to the charger and battery, charge only nickel-cadmium rechargeable batteries as specifically designated on your charger. Other types of batteries may burst, causing personal injury or damage.

---

- **Do not use charger outdoors or expose to wet or damp conditions.** Water entering charger will increase the risk of electric shock.
- **Use of an attachment not recommended or sold by the battery charger manufacturer may result in a risk of fire, electric shock, or injury to persons.** Following this rule will reduce the risk of electric shock, fire, or serious personal injury.
- **Do not abuse cord or charger.** Never use the cord to carry the charger. Do not pull the charger cord rather than the plug when disconnecting from receptacle. Damage to the cord or charger could occur and create an electric shock hazard. Replace damaged cords immediately.
- **Make sure cord is located so that it will not be stepped on, tripped over, come in contact with sharp edges or moving parts or otherwise subjected to damage or stress.** This will reduce the risk of accidental falls, which could cause injury, and damage to the cord, which could result in electric shock.
- **Keep cord and charger from heat to prevent damage to housing or internal parts.**
- **Do not let gasoline, oils, petroleum-based products,**

**etc. come in contact with plastic parts.** They contain chemicals that can damage, weaken, or destroy plastic.

- **An extension cord should not be used unless absolutely necessary.** Use of improper extension cord could result in a risk of fire and electric shock. If extension cord must be used, make sure:
  - a. That pins on plug of extension cord are the same number, size and shape as those of plug on charger.
  - b. That extension cord is properly wired and in good electrical condition; and
  - c. That wire size is large enough for AC ampere rating of charger as specified below:











Cord Length (Feet)	25'	50'	100'
Cord Size (AWG)	16	16	16

**NOTE:** AWG = American Wire Gauge

- **Do not operate charger with a damaged cord or plug,** which could cause shorting and electric shock. If damaged, have the charger replaced by an authorized serviceman.
- **Do not operate charger if it has received a sharp blow, been dropped, or otherwise damaged in any way.** Take it to an authorized serviceman for electrical check to determine if the charger is in good working order.
- **Do not disassemble charger.** Take it to an authorized serviceman when service or repair is required. Incorrect reassembly may result in a risk of electric shock or fire.
- **Unplug charger from outlet before attempting any maintenance or cleaning to reduce the risk of electric shock.**
- **Disconnect charger from the power supply when not in use.** This will reduce the risk of electric shock or damage to the charger if metal items should fall into the opening. It also will help prevent damage to the charger during a power surge.
- **Risk of electric shock.** Do not touch uninsulated portion of output connector or uninsulated battery terminal.
- **Save these instructions.** Refer to them frequently and use them to instruct others who may use this worklight. If you loan someone this worklight, loan them these instructions also to prevent misuse of the product and possible injury.

# SYMBOLS




Some of the following symbols may be used on this worklight. Please study them and learn their meaning. Proper interpretation of these symbols will allow you to operate the worklight better and safer.

SYMBOL	NAME	DESIGNATION/EXPLANATION
V	Volts	Voltage
A	Amperes	Current
Hz	Hertz	Frequency (cycles per second)
W	Watt	Power
min	Minutes	Time
~	Alternating Current	Type of current
==	Direct Current	Type or a characteristic of current
$n_0$	No Load Speed	Rotational speed, at no load
	Class II Construction	Double-insulated construction
.../min	Per Minute	Revolutions, strokes, surface speed, orbits etc., per minute
	Wet Conditions Alert	Do not expose to rain or use in damp locations.
	Read The Operator's Manual	To reduce the risk of injury, user must read and understand operator's manual before using this product.
	Eye Protection	Always wear safety goggles or safety glasses with side shields and a full face shield when operating this product.
	Safety Alert	Precautions that involve your safety.
	No Hands Symbol	Failure to keep your hands away from the blade will result in serious personal injury.
	No Hands Symbol	Failure to keep your hands away from the blade will result in serious personal injury.
	No Hands Symbol	Failure to keep your hands away from the blade will result in serious personal injury.
	No Hands Symbol	Failure to keep your hands away from the blade will result in serious personal injury.
	Hot Surface	To reduce the risk of injury or damage, avoid contact with any hot surface.

# SYMBOLS

---

The following signal words and meanings are intended to explain the levels of risk associated with this product.

SYMBOL	SIGNAL	MEANING
	<b>DANGER:</b>	Indicates an imminently hazardous situation, which, if not avoided, will result in death or serious injury.
	<b>WARNING:</b>	Indicates a potentially hazardous situation, which, if not avoided, could result in death or serious injury.
	<b>CAUTION:</b>	Indicates a potentially hazardous situation, which, if not avoided, may result in minor or moderate injury.
	<b>CAUTION:</b>	(Without Safety Alert Symbol) Indicates a situation that may result in property damage.

## SERVICE

Servicing requires extreme care and knowledge and should be performed only by a qualified service technician. For service we suggest you return the product to your nearest **AUTHORIZED SERVICE CENTER** for repair. When servicing, use only identical replacement parts.



## WARNING:

To avoid serious personal injury, do not attempt to use this product until you read thoroughly and understand completely the operator's manual. Save this operator's manual and review frequently for continuing safe operation and instructing others who may use this product.

---

## SAVE THESE INSTRUCTIONS

# FEATURES

## PRODUCT SPECIFICATIONS

Battery .....  
Charger Input .....

### R829

12 Volt DC  
120 V, 60 Hz, AC only

### R839

14.4 Volt DC  
120 V, 60 Hz, AC only

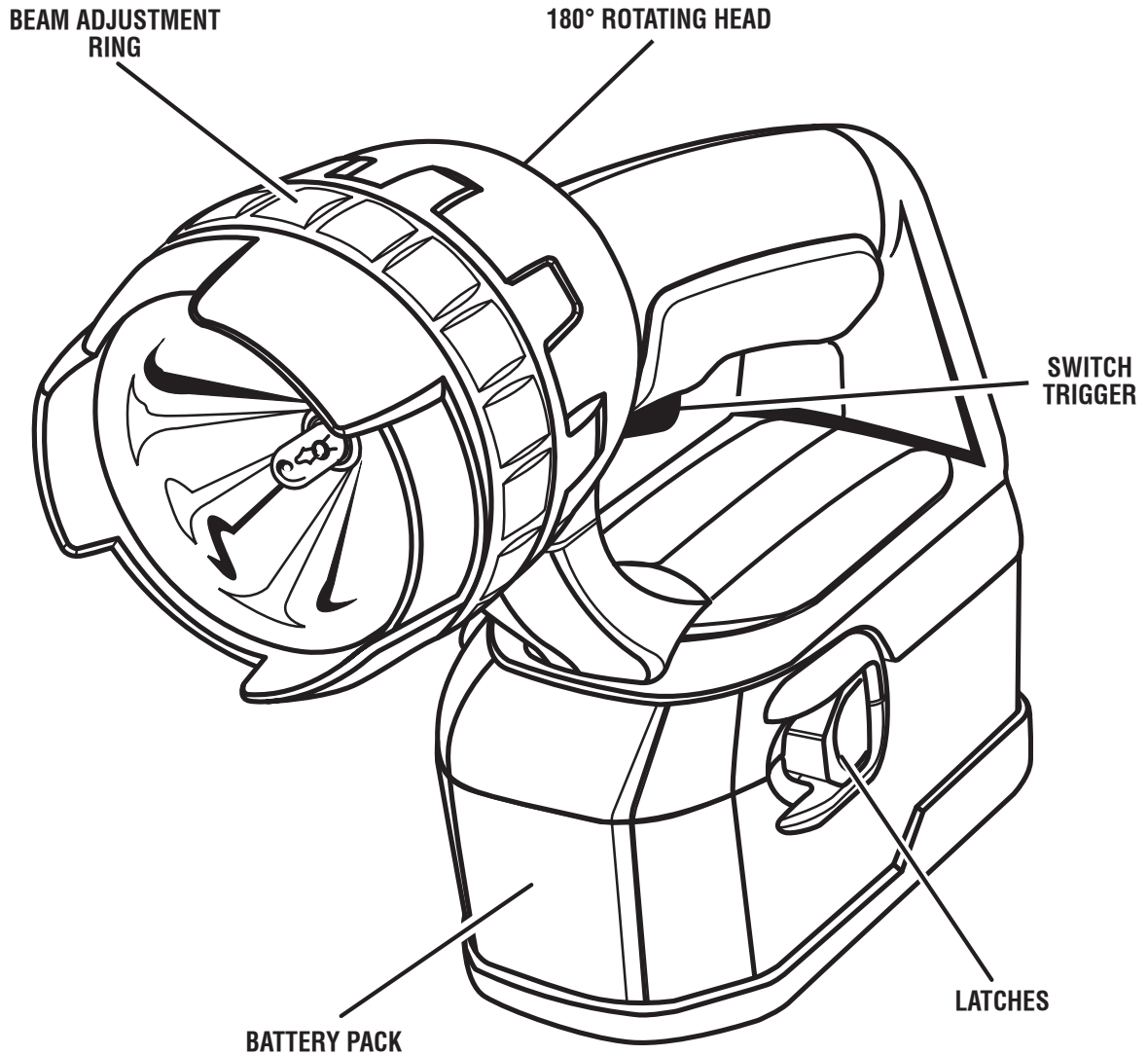


Fig. 1

## KNOW YOUR WORKLIGHT

See Figure 1.

Before attempting to use this product, familiarize yourself with all operating features and safety rules.

### 180° ROTATING HEAD

Choose the direction of the light beam by rotating the head up to 180°.

### BEAM ADJUSTMENT RING

Your worklight has an adjustable beam that provides versatile lighting from spot to wide-angle.

# ASSEMBLY

---

## UNPACKING

This product has been shipped completely assembled.

- Carefully remove the worklight and any accessories from the box. Make sure that all items listed in the packing list are included.
- Inspect the worklight carefully to make sure no breakage or damage occurred during shipping.
- Do not discard the packing material until you have carefully inspected and satisfactorily operated the worklight.
- If any parts are damaged or missing, please call 1-866-539-1710 for assistance.

## PACKING LIST

Worklight

Operator's Manual



### **WARNING:**

If any parts are missing do not operate this worklight until the missing parts are replaced. Failure to do so could result in possible serious personal injury.

---



### **WARNING:**

Do not attempt to modify this worklight or create accessories not recommended for use with this worklight. Any such alteration or modification is misuse and could result in a hazardous condition leading to possible serious personal injury.

---



### **WARNING:**

Always remove the battery pack from the worklight when assembling parts or changing light bulb. Failure to do so could result in possible serious personal injury.

---



# OPERATION

## **WARNING:**

Do not allow familiarity with worklights to make you careless. Remember that a careless fraction of a second is sufficient to inflict serious injury.

## **WARNING:**

Do not use any attachments or accessories not recommended by the manufacturer of this worklight. The use of attachments or accessories not recommended can result in serious personal injury.

## **CAUTION:**

To prevent damage to the battery pack, remove the battery pack from the charger immediately if no LED comes on. Return the battery pack and charger to your nearest service center for checking or replacing. Also, if you are removing the battery pack from the charger and no LEDs are on, return both the battery pack and the charger to your nearest service center. Do not insert another battery pack into the charger. A damaged charger may damage a battery pack.

## **CHARGING THE BATTERY PACK**

Battery packs for this worklight are shipped in a low charge condition to prevent possible problems. Therefore, you should charge the battery until the light on front of charger changes from flashing green to continuous green.

**NOTE:** Batteries will not reach full charge the first time they are charged. Allow several cycles (operation followed by recharging) for them to become fully charged. This is normal for nickel-cadmium batteries.

## **TO CHARGE**

- Charge the battery pack only with the recommended chargers.
- **Make sure the power supply is normal house voltage, 120 volts, 60 Hz, AC only.**
- Connect the charger to a power supply.
- Attach the battery pack to the charger by aligning the raised ribs on the battery pack with the grooves in the charger, then slide the battery pack onto the charger. *See Figure 2.*
- After normal usage, 30 minutes of charging time is required to be fully charged.
- The battery pack will become slightly warm to the touch while charging. This is normal and does not indicate a problem.

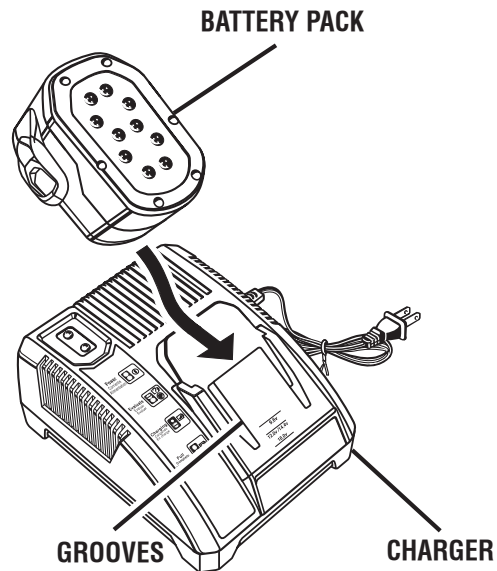


Fig. 2

- Do not place the charger in an area of extreme heat or cold. It will work best at normal room temperature.
- When the batteries become fully charged, unplug the charger from the power supply and remove the battery pack.

## **IMPORTANT INFORMATION FOR RECHARGING A HOT BATTERY PACK**

When using the worklight continuously, the batteries in the battery pack will become hot. You should let a hot battery pack cool down for approximately 30 minutes before attempting to recharge. When the battery pack becomes discharged and is hot, the green LED will be off and the red LED will begin flashing.

When the battery pack cools down to approximately 104°F (40°C), the charger will automatically begin fast charge mode.

If the Red LED continues to flash for more than 90 minutes, and the green LED remains off, this may indicate a damaged battery that will not charge.

## **IMPORTANT INFORMATION FOR RECHARGING A COOL BATTERY PACK**





If the battery pack is below normal temperature range, the red LED will begin flashing and the green LED will be off. When the battery warms to a temperature of more than 41°F (5°C), the charger will automatically begin fast charge mode.

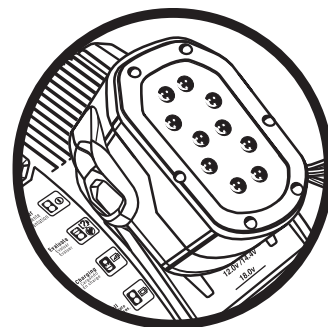
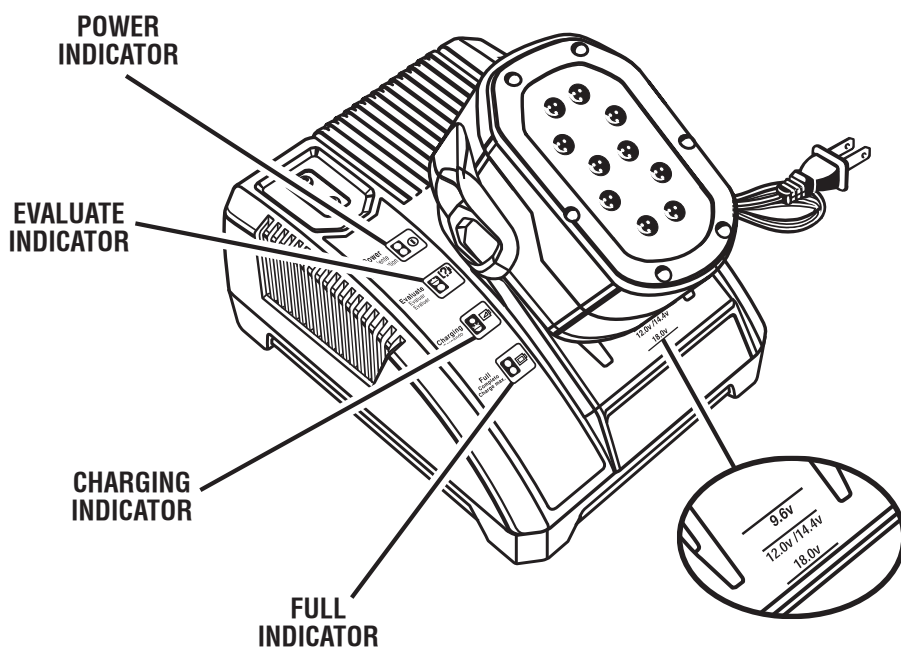
**NOTE:** Refer to “**CHARGING THE BATTERY PACK**” for normal recharging of batteries. If the charger does not charge your battery pack under normal circumstances, return both the battery pack and charger to your nearest repair center for electrical check. For the location of your nearest repair center, please call 1-866-539-1710.

# OPERATION

## LED FUNCTION OF CHARGER

See Figure 2.

LED INDICATOR	BATTERY PACK	RED LED	GREEN LED	ACTION	
<b>Power</b> Corriente Alimentation 	Without battery pack	ON	OFF	Ready to charge battery pack	
<b>Evaluate</b> Evaluar Evaluer 	Evaluate	Flashing	OFF	When battery pack reaches cooled temperature, charger begins fast charge mode	
	Evaluate	Cold battery pack	Flashing	OFF	When battery pack reaches warmed temperature, charger begins fast charge mode
	Evaluate	Deeply discharged	Flashing	OFF	Charger pre-charges battery until normal voltage is reached, then begins fast charge mode
	Evaluate	Thermistor shorted or open	Flashing	OFF	If red LED continues flashing for more than 90 minutes, and green LED remains off, this may indicate a damaged battery
<b>Charging</b> Cargando En charge 	Fast charging	ON	Flashing	Fast charges in 30 minutes	
<b>Full</b> Completo Charge max. 	Slow charging	OFF	ON	Fast charging is complete. Charger maintains charge mode.	



**Note:** The 9.6 volt, 12 volt, and 14.4 volt battery packs will not slide all the way down onto the charger port. Insert 9.6 volt, 12 volt and 14.4 volt battery packs until they click into place and are aligned with the line on the charger, shown at left.

Allow up to 5 seconds for the “charge” light to come on after the battery pack is inserted.

Fig. 3

# OPERATION

## TO INSTALL BATTERY PACK

See Figure 4.

- Align the raised rib on the battery with the groove inside flashlight base.
- Slide together until latches click.

### CAUTION:

When placing battery pack in the worklight, be sure raised rib on battery pack aligns with groove inside worklight and latches snap into place properly. Improper installation of the battery pack can cause damage to internal components.

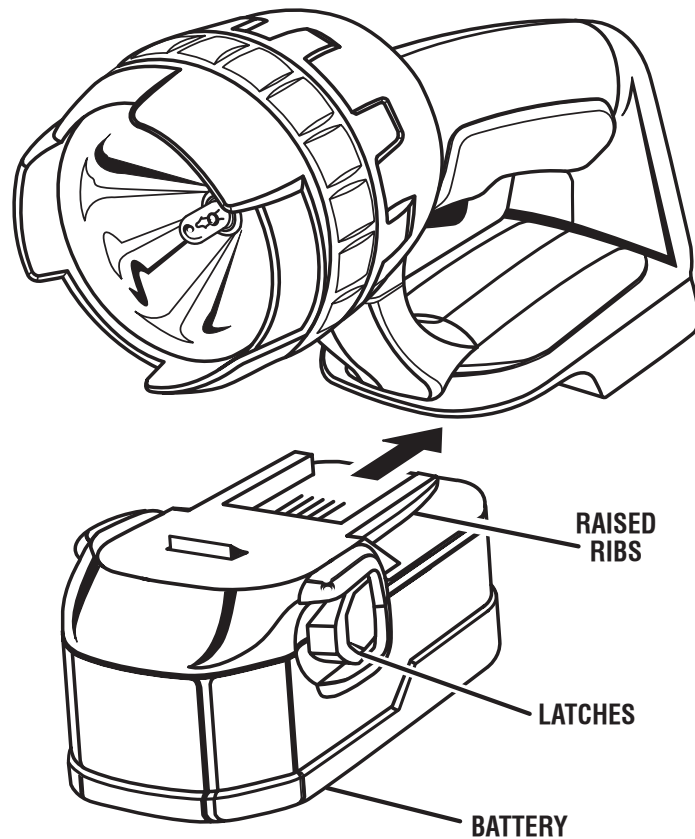


Fig. 4

### CAUTION:

Battery tools are always in operating condition. Use caution when carrying to prevent depressing the switch trigger when light is not needed.

## TO REMOVE BATTERY PACK

- Locate latches on side of battery pack and depress to release battery pack from worklight.
- Remove battery pack from worklight.

## TO TURN WORKLIGHT ON/OFF

See Figure 5.

To turn worklight **ON** or **OFF**, depress switch trigger located beneath handle.

## TO CHANGE BEAM DIRECTION

See Figure 5.

Rotate worklight head up to 180° to change direction of light beam.

## TO ADJUST WORKLIGHT BEAM

See Figure 5.

- While holding worklight with beam pointed away from you, secure worklight head to prevent rotation.
- With your other hand, twist beam adjustment ring clockwise for a wide-angle beam, or counter-clockwise for a spot beam.

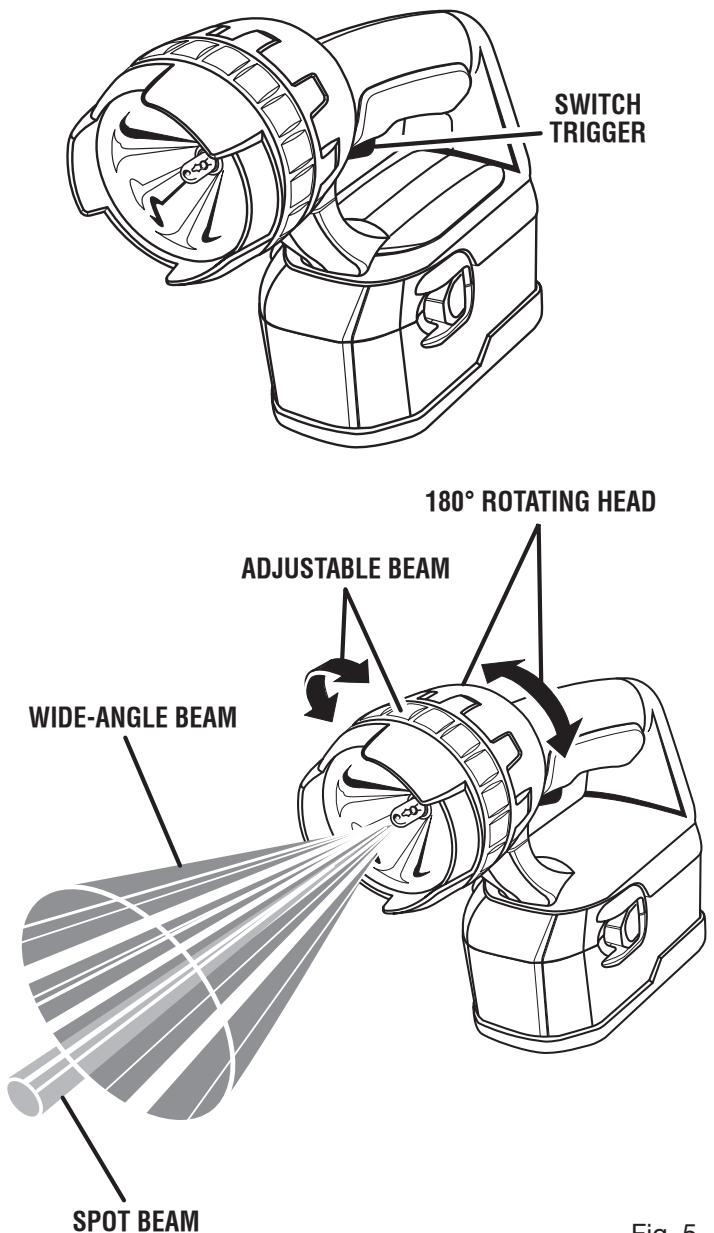


Fig. 5

# MAINTENANCE

**WARNING:**  
When servicing use only identical RIDGID replacement parts. Use of any other parts may create a hazard or cause product damage.

**WARNING:**  
Always wear safety goggles or safety glasses with side shields when using compressed air to clean worklights. If operation is dusty, also wear a dust mask.

**WARNING:**  
To avoid serious personal injury, always remove the battery pack from the worklight when cleaning or performing any maintenance.

## GENERAL MAINTENANCE

Avoid using solvents when cleaning plastic parts. Most plastics are susceptible to damage from various types of commercial solvents and may be damaged by their use. Use clean cloths to remove dirt, dust, oil, grease, etc.

**WARNING:**  
Do not at any time let brake fluids, gasoline, petroleum-based products, penetrating oils, etc., come in contact with plastic parts. Chemicals can damage, weaken or destroy plastic which may result in serious personal injury.

Only the parts shown on the parts list are intended to be repaired or replaced by the customer. All other parts should be replaced at a RIDGID authorized service center.

## BULB REPLACEMENT

See Figure 6.

When purchasing replacement bulb, request recommended part number 780036001 (for Model No. R829) or 7806001 (for Model No. R839).

### TO REPLACE BULB:

- Allow bulb to cool.
- Remove battery pack from worklight.
- Twist lens cover in a counter-clockwise direction and remove.
- Twist old bulb until silver triangle and triangle-shaped notch are aligned, then pull to remove.
- Position new bulb by aligning notch on bulb with silver triangle on bulb socket.
- Push in on bulb slightly and twist to secure.
- Replace lens cover.
- Replace battery pack.

**NOTE:** For your convenience, the worklight has a spare bulb storage area. It is located behind the lens cover.

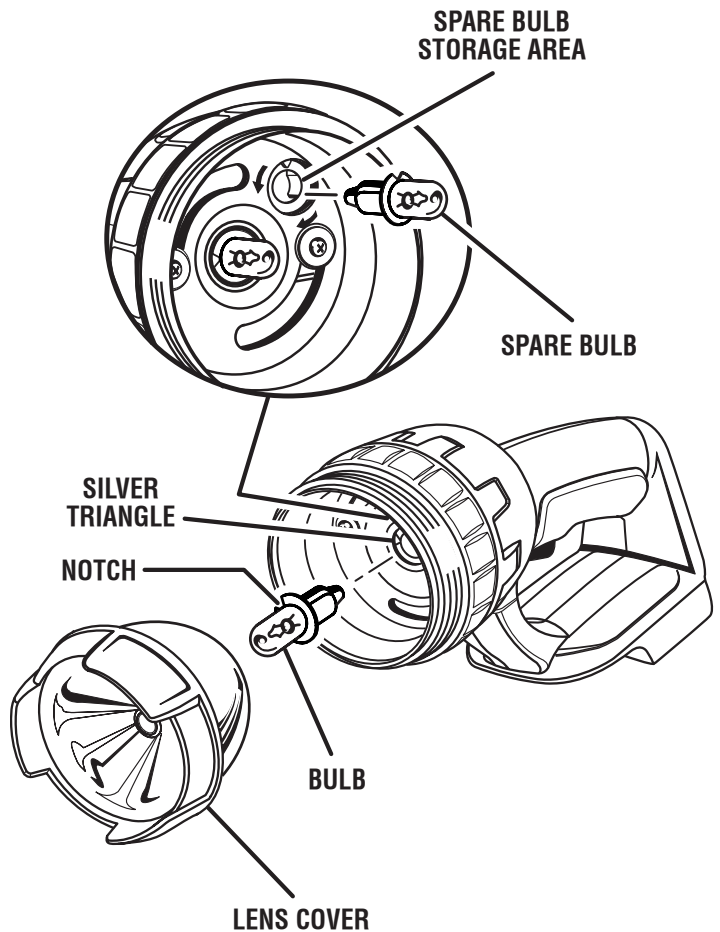


Fig. 6

# MAINTENANCE

---

## BATTERIES

The battery pack for this worklight is equipped with nickel-cadmium rechargeable batteries. Length of service from each charging will depend on the type of work you are doing.

The batteries in the battery pack have been designed to provide maximum trouble-free life. However, like all batteries, they will eventually wear out. **Do not** disassemble battery pack and attempt to replace the batteries. Handling of these batteries, especially when wearing rings and jewelry, could result in a serious burn.

To obtain the longest possible battery life, we suggest the following:

- Remove the battery pack from the charger once it is fully charged and ready for use.

For battery pack storage longer than 30 days:

- Store the battery pack where the temperature is below 80°F.
- Store battery packs in a “discharged” condition.

## BATTERY PACK REMOVAL AND PREPARATION FOR RECYCLING



To preserve natural resources, please recycle or dispose of batteries properly.

This product contains nickel-cadmium batteries. Local, state or federal laws may prohibit disposal of nickel-cadmium batteries in ordinary trash.

Consult your local waste authority for information regarding available recycling and/or disposal options.

---



### WARNING:

Upon removal, cover the battery pack’s terminals with heavy-duty adhesive tape. Do not attempt to destroy or disassemble battery pack or remove any of its components. Nickel-cadmium batteries must be recycled or disposed of properly. Also, never touch both terminals with metal objects and/or body parts as short circuit may result. Keep away from children. Failure to comply with these warnings could result in fire and/or serious injury.

---



# WARRANTY

---

## RIDGID® HAND HELD AND STATIONARY POWER TOOL 3 YEAR LIMITED SERVICE WARRANTY

Proof of purchase must be presented when requesting warranty service.

Limited to RIDGID® hand held and stationary power tools purchased 2/1/04 and after. This product is manufactured by One World Technologies, Inc. The trademark is licensed from RIDGID, Inc. All warranty communications should be directed to One World Technologies, Inc., attn: RIDGID Hand Held and Stationary Power Tool Technical Service at (toll free) 1-866-539-1710.

### 90-DAY SATISFACTION GUARANTEE POLICY

During the first 90 days after the date of purchase, if you are dissatisfied with the performance of this RIDGID® Hand Held and Stationary Power Tool for any reason you may return the tool to the dealer from which it was purchased for a full refund or exchange. To receive a replacement tool you must present proof of purchase and return all original equipment packaged with the original product. The replacement tool will be covered by the limited warranty for the balance of the 3 YEAR service warranty period.

### WHAT IS COVERED UNDER THE 3 YEAR LIMITED SERVICE WARRANTY

This warranty on RIDGID® Hand Held and Stationary Power Tools covers all defects in workmanship or materials and normal wear items such as brushes, chucks, motors, switches, cords, gears and even cordless batteries in this RIDGID® tool for three years following the purchase date of the tool. Warranties for other RIDGID® products may vary.

### HOW TO OBTAIN SERVICE

To obtain service for this RIDGID® tool you must return it; freight prepaid, or take it in to an authorized service center for RIDGID® branded hand held and stationary power tools. You may obtain the location of the authorized service center nearest you by calling (toll free) 1-866-539-1710 or by logging on to the RIDGID® website at [www.ridgid.com](http://www.ridgid.com). When requesting warranty service, you must present the original dated sales receipt. The authorized service center will repair any faulty workmanship, and either repair or replace any part covered under the warranty, at our option, at no charge to you.

### WHAT IS NOT COVERED

This warranty applies only to the original purchaser at retail and may not be transferred. This warranty only covers defects arising under normal usage and does not cover any malfunction, failure or defect resulting from misuse, abuse, neglect, alteration, modification or repair by other than an authorized service center for RIDGID® branded hand held and stationary power tools. Consumable accessories provided with the tool such as, but not limited to, blades, bits and sand paper are not covered.

**RIDGID, INC. AND ONE WORLD TECHNOLOGIES, INC. MAKE NO WARRANTIES, REPRESENTATIONS OR PROMISES AS TO THE QUALITY OR PERFORMANCE OF ITS POWER TOOLS OTHER THAN THOSE SPECIFICALLY STATED IN THIS WARRANTY.**

### ADDITIONAL LIMITATIONS

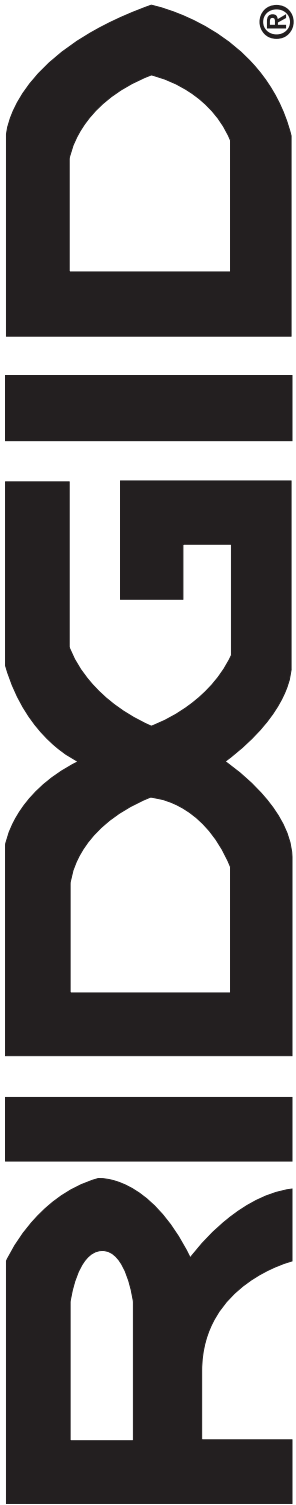
To the extent permitted by applicable law, all implied warranties, including warranties of MERCHANTABILITY or FITNESS FOR A PARTICULAR PURPOSE, are disclaimed. Any implied warranties, including warranties of merchantability or fitness for a particular purpose, that cannot be disclaimed under state law are limited to three years from the date of purchase. One World Technologies, Inc. and RIDGID, Inc. are not responsible for direct, indirect, incidental or consequential damages. Some states do not allow limitations on how long an implied warranty lasts and/or do not allow the exclusion or limitation of incidental or consequential damages, so the above limitations may not apply to you. This warranty gives you specific legal rights, and you may also have other rights which vary from state to state.

---

**One World Technologies, Inc.**

P.O. Box 35, Hwy. 8  
Pickens, SC 29671

---



# OPERATOR'S MANUAL

## CORDLESS WORKLIGHT

R829 — 12 VOLT

R839 — 14.4 VOLT

### Customer Service Information:

For parts or service, contact your nearest RIDGID authorized service center. Be sure to provide all relevant information when you call or visit. For the location of the authorized service center nearest you, please call 1-866-539-1710 or visit us online at [www.ridgid.com](http://www.ridgid.com).

The model number of this worklight is found on a plate attached to the base of the worklight. Please record the serial number in the space provided below. When ordering repair parts, always give the following information:

**Model No.** \_\_\_\_\_ R829/R839 \_\_\_\_\_

**Serial No.** \_\_\_\_\_