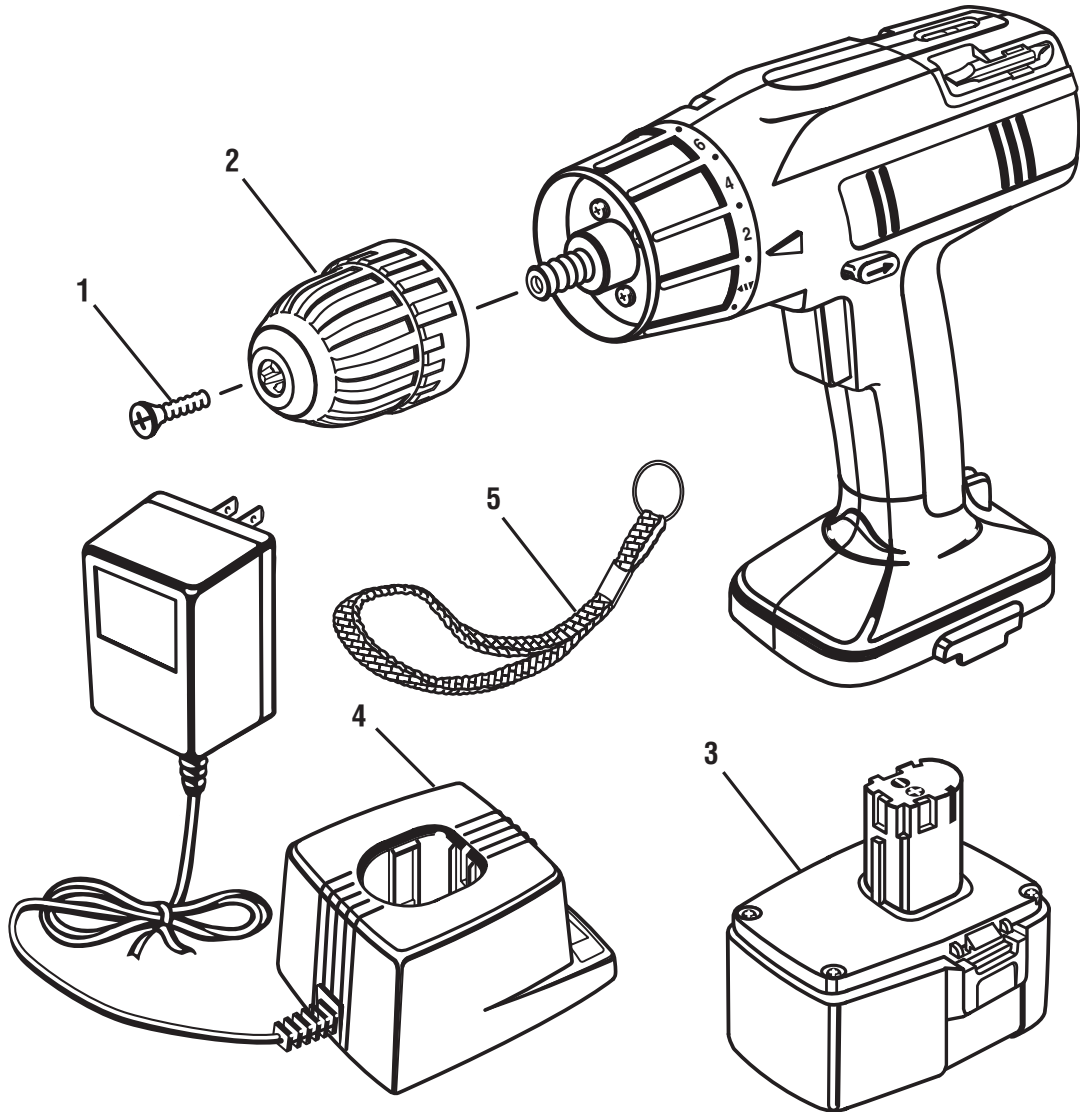


**CRAFTSMAN 3/8 in.  
14.4 VOLT CORDLESS DRILL-DRIVER  
MODEL NO. 973.114140  
REPAIR SHEET**

**CRAFTSMAN 3/8 in., 14.4 VOLT CORDLESS DRILL-DRIVER  
MODEL NUMBER 973.114140**

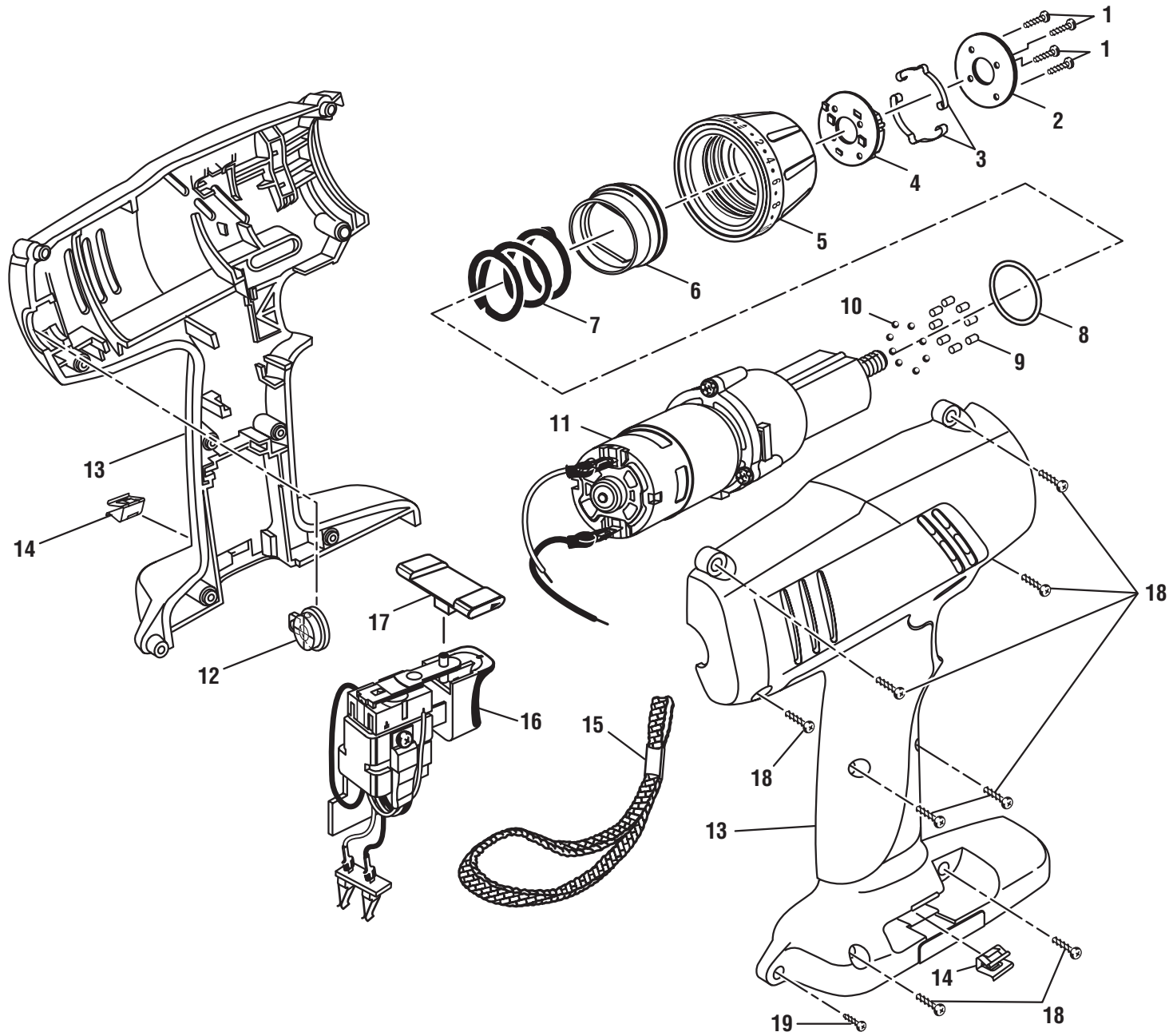
The model number will be found on a label attached to the motor housing. Always mention the model number in all correspondence regarding your **3/8 in., CORDLESS DRILL-DRIVER** or when ordering repair parts.



**PARTS LIST**

KEY NO.	PART NUMBER	DESCRIPTION	QTY.
1	616478003	SCREW (SPECIAL).....	1
2	ITEM NO. 9-20988	CHUCK (6903302).....	1
3	967216007	WRIST STRAP .....	1
4	ITEM NO. 9-11013	BATTERY PACK (981480001).....	1
5	ITEM NO. 9-11012	CHARGER W/CHARGING STAND (981481001).....	1
6	3073021	CARRYING CASE (NOT SHOWN) .....	1

CRAFTSMAN 3/8 in., 14.4 VOLT CORDLESS DRILL-DRIVER - MODEL NUMBER 973.114140

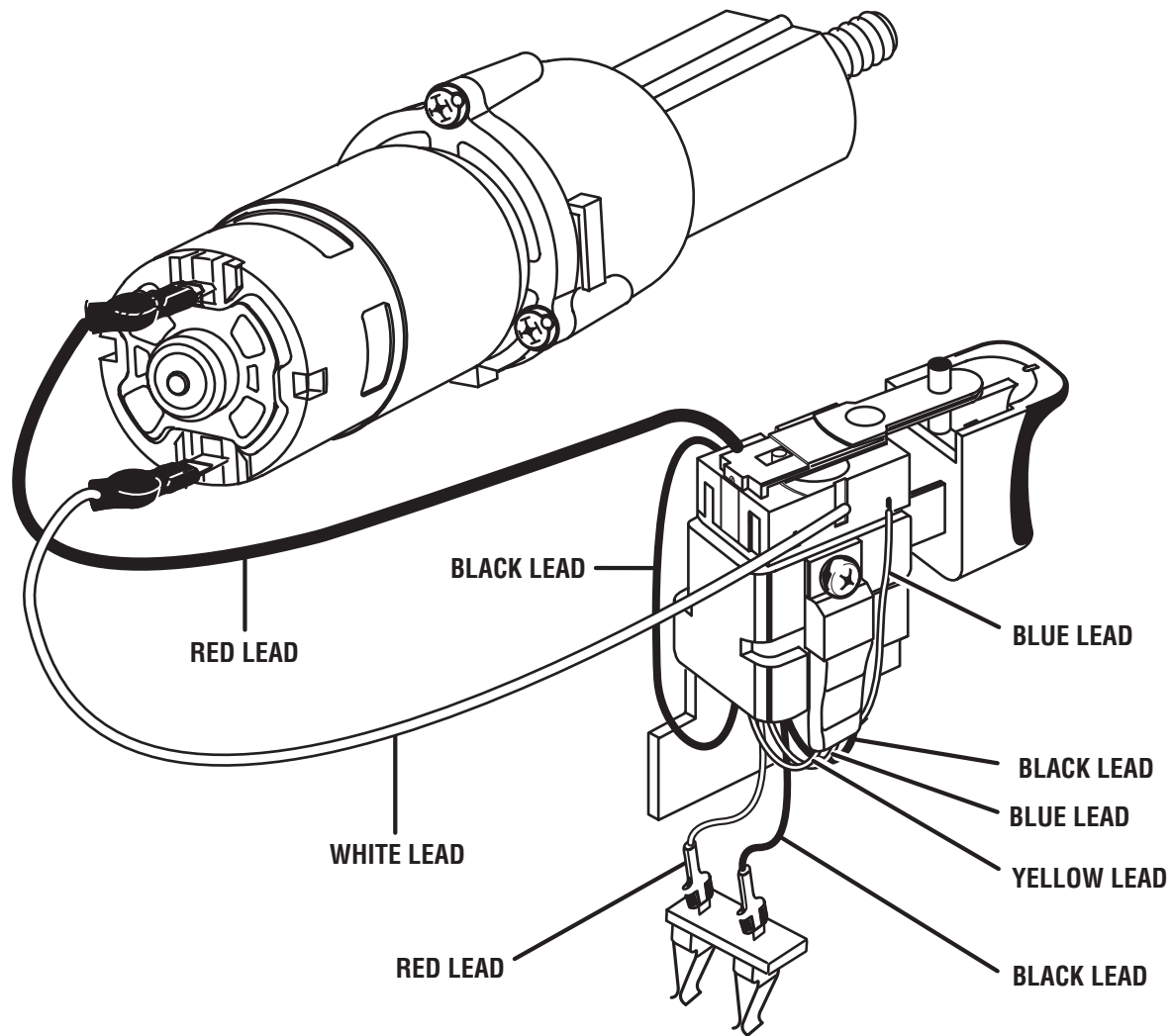


**CRAFTSMAN 3/8 in., 14.4 VOLT CORDLESS DRILL-DRIVER - MODEL NUMBER 973.114140**

The model number will be found on a label attached to the motor housing. Always mention the model number in all correspondence regarding your 3/8 in., **CORDLESS DRILL-DRIVER** or when ordering repair parts.

**PARTS LIST**

<b>KEY NO.</b>	<b>PART NUMBER</b>	<b>DESCRIPTION</b>	<b>QTY.</b>
1	6620501	SCREW .....	4
2	6375301	CLUTCH RETAINER .....	1
3	6392201	DETENT RING .....	2
4	5434609	SPRING HOLDER.....	1
5	3801103	CLUTCH CAP.....	1
6	5501403	SLEEVE.....	1
7	6872401	SPRING.....	1
8	6710501	CLUTCH WASHER .....	1
9	6843505	PIN.....	8
10	6722001	BALL.....	8
11	983748001	MOTOR AND GEAR TRAIN ASSEMBLY.....	1
12	3048003	REAR LEVEL ASSEMBLY .....	1
13	983747001	HOUSING ASSEMBLY .....	1
14	630206007	BIT CLIP .....	2
15	9002720	WRIST STRAP .....	1
16	2701248	SWITCH ASSEMBLY .....	1
17	3801303	FOWARD-REVERSE SELECTOR.....	1
18	6320601	SCREW (M4 x 16 mm) .....	8
19	660206042	SCREW (M3.5 x 16 mm) .....	1
	983000067	OPERATOR'S MANUAL	
	2-28-13		
	(REV:02)		



**WIRING DIAGRAM**